

ABG 6820 ABG 7820

ASPHALT PAVERS TRACKED

EU STAGE IIIA | EPA TIER 3



Total paver control

- EPM3: intuitive control with a bird's eye view of a paver on the display
- Consistent, high-quality paving; transfer data from job-to-job with the Settings Manager
- Pave Assist with Thermal Profiling, Weather View and Material Manager
- Lowest noise level in class simplifies communication with the paving team
- Unhampered visibility around the paver
- Different optional lighting kits boost safety when working at night

Long-lasting paving performance

- Volvo (Deutz) engine combines high torque and low RPM for superior, long-lasting performance
- Powertrain components are perfectly harmonised for high efficiency
- Adaptive Eco Mode matches engine output to demand
- Electronically adapted speed of the hydraulic cooling fan lowers noise and fuel consumption
- Pave Assist provides a powerful set of tools to improve performance, efficiency and paving quality
- Auto track tensioner for smooth paving starts*

Supreme screed technology

- ABG screeds deliver the best pavement quality, uniformity and smoothness
- Selection from a variety of single or double tamper screeds
- Special crown profiles in road surfaces with VB 79/89 or VDT-V 79/89
- Easy screed control with the clear screed panel design
- Quick-coupling for easy vario screed extension assembly*
- Fully hardened tamper bars significantly extend lifetime

Focus on uptime

- Service Interval Manager notifies the operator of required maintenance
- CareTrack advanced telematics system
- Service access from the platform provides ease of maintenance
- MATRIS provides expert analysis of machine operating activity
- ABG service kits save time, lower costs and offer the latest technical advantages

**AN ABG EXCLUSIVE FEATURE*

ABG 6820 | ABG 7820

EU Stage IIIA | EPA Tier 3

ENGINE		ABG 6820	ABG 7820
MANUFACTURER		Volvo (Deutz)	Volvo (Deutz)
MODEL		D6E GAE3	D7E GEE3
FUEL		Diesel	Diesel
OUTPUT	kW	140	170
	hp	190	228
AT ENGINE SPEED	r/min	2 000	1 800
COOLANT		Liquid	Liquid
FUEL TANK CAPACITY	l	250	250
EXHAUST EMISSION		EU Stage IIIA / EPA Tier 3	EU Stage IIIA / EPA Tier 3

PAVING

OUTPUT (THEORETICAL)*	t/h	700	900
MAT THICKNESS (MAX)	mm	300	300

*The actual paving output depends upon the mat thickness, the paving width and paving speed and will vary according to paving conditions prevailing on your jobsite.

SPEED

PAVING (MAX)	m/min	20	20
TRANSPORT (MAX)	km/h	3.3	3.6

UNDERCARRIAGE

LENGTH	mm	3 000	3 000
WIDTH (TRACK PLATES)	mm	300	300

CONVEYOR

HOPPER CAPACITY	t	13.5	13.5
NUMBER OF CONVEYORS		2	2
CONVEYOR SPEED (MAX)	m/min	23	23

AUGER

SPEED (MAX)	1/min	95	95
DIAMETER	mm	360	360

OPERATING WEIGHTS¹ OF SCREEDS IN KG²

AT WORKING WIDTH	2.5 m	5 m	6 m	6.5 m	7.5 m	8 m	8.5 m	9 m	9 m (V)	10 m	11 m
ABG 6820											
VB 78	-	3 600	-	5 222	5 782	6 342	-	6 903	-	-	-
VDT-V 78	-	3 720	-	5 442	6 032	-	-	-	-	-	-
VB 79	-	3 730	-	5 352	5 912	6 472	-	7 033	-	-	-
VB 88	-	-	3 820	-	5 542	-	6 102	6 662	-	-	-
VDT-V 88	-	-	4 450	-	6 272	-	-	-	-	-	-
MB 122	2 242	-	4 456	-	6 076	-	-	6 828	7 454	8 050	8 575
ABG 7820											
VB 78	-	3 600	-	5 222	5 782	6 342	-	6 903	-	-	-
VDT-V 78	-	3 720	-	5 442	6 032	6 662	-	7 253	-	-	-
VB 79	-	3 730	-	5 352	5 912	6 472	-	7 033	-	-	-
VDT-V 79	-	4 100	-	5 822	6 412	7 072	-	7 633	-	-	-
VB 88	-	-	3 820	-	5 542	-	6 102	6 662	-	7 223	-
VDT-V 88	-	-	4 450	-	6 272	-	6 862	7 492	-	-	-
VB 89	-	-	4 200	-	5 922	-	6 482	7 042	-	-	-
VDT-V 89	-	-	4 570	-	6 392	-	6 982	7 612	-	-	-
MB 122	2 242	-	4 456	-	6 076	-	-	6 828	7 454	8 050	8 575
VDT 121	2 442	-	4 903	-	6 680	-	-	7 531	8 193	-	-

¹ Including auger extensions, channel plates, end gates, towing arms rear, etc.

² All screeds electrically heated

DIMENSIONS		ABG 6820	ABG 7820
LENGTH WITH VARIO SCREED (WALKWAY UP)	mm	6 120	6 120
WIDTH	mm	2 548	2 548
HEIGHT	mm	3 785	3 785
HEIGHT (TRANSPORT)	mm	2 934	2 934

WEIGHT

TRACTOR UNIT	kg	14 200	14 650
--------------	----	--------	--------

All weights are approx. weights without options.

Weight of tractor without screed, with standard hopper, with fuel tank half full, with towing arms separated, with push roller D=110 mm, and incl. 75 kg driver.

MAX. ALLOWABLE GRADEABILITY

TRACTOR UNIT + SCREED	%	25	25
-----------------------	---	----	----

Applies to screed VB 78 2.5–5.0 m.

When using extensions the max. allowable gradeability will be reduced.

SOUND LEVEL

L _{PA} Sound Pressure Level at Driver's Ear, acc. to ISO 11201	dB	82	82
--	----	----	----

L _{WA} Guaranteed Sound Power Level, acc. to Directive 2000/14/EC	dB	105	105
---	----	-----	-----

VIBRATION

HAND-ARM VIBRATION according to ISO 5349:2001	m/s ²	<2.5	<2.5
--	------------------	------	------

WHOLE BODY VIBRATION according to ISO 2631:1997	m/s ²	<0.5	<0.5
--	------------------	------	------

ELECTRICAL SYSTEM

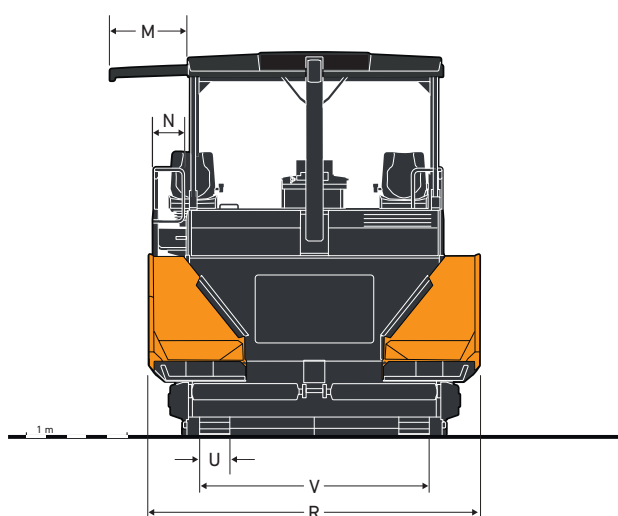
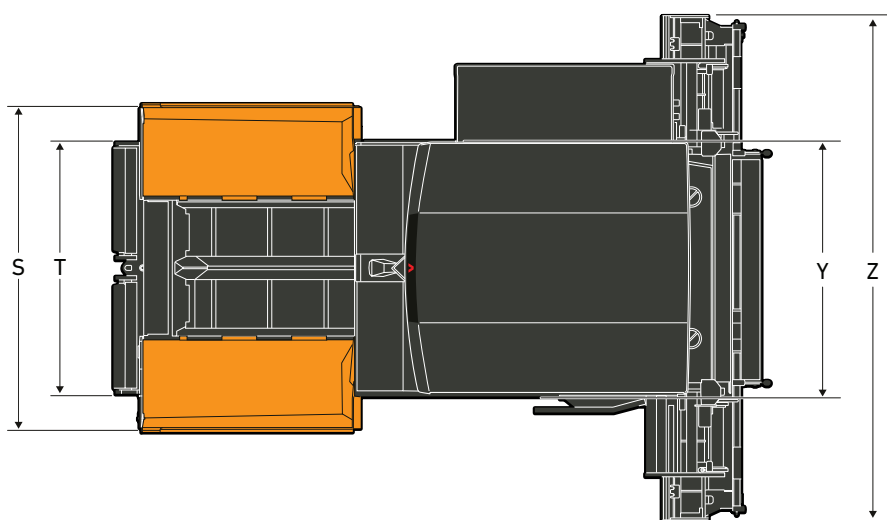
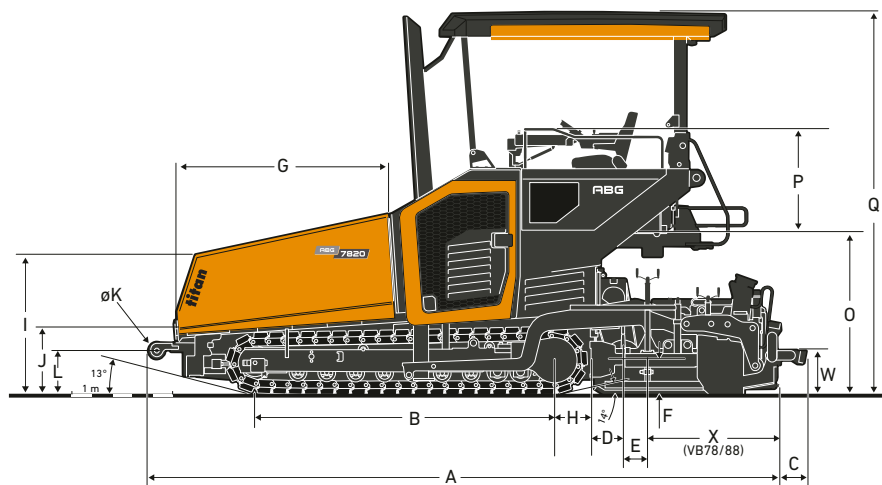
BATTERY VOLTAGE	V	24	24
-----------------	---	----	----

TRACKED ASPHALT PAVERS

DIMENSIONS [mm]

ABG 6820
ABG 7820

A	STANDARD	6 120
	SOFT DOCK	6 244
B		3 000
C		268
D		275
E		265
F		360 ± 60
G		2 151
H		398
I		1 385
J		607
K		160
L		436
M		770
N		320
O		1 615
P		1 025
Q	UP	3 785
	DOWN	2 934
R	OPEN	3 256
	CLOSED	2 452
S		3 169
T		2 495
U		300
V		2 269
W		438
X		1 280
Y		2 500
Z		5 000



EQUIPMENT

STANDARD EQUIPMENT

Engine

- Volvo (Deutz) Diesel engine, EU Stage IIIA / EPA Tier 3

Drive

- Electronic drive control
- Lifetime lubricated crawler track rollers
- Forged and hardened crawler track links
- Automatic track tensioner

Material management

- Proportional conveyor sensors
- Four individual hydrostatic drives for conveyors and augers
- Reversible direction of auger rotation
- Hydraulic auger height adjustment
- Proportional ultrasonic sensor auger control

Electrics and electronics

- Electronic Paver Management (EPM 3)
- ECO mode
- Settings Manager
- Service Interval Manager
- Adjustable and revolving screen control panel at operator platform

- Two adjustable and revolving screen control panels
- Battery master switch
- Electric switch cabinet
- MATRIS
- Generator for electric screen heating

Structure

- All-weather roof of GRP (glass-fibre reinforced plastic)
- Two seats, laterally extendable
- Anti-vandalism kit
- Near field mirrors at weather roof
- ABG Key

Screed

- Split towing arms
- Screed lock
- Quick coupling system for vario screeds
- Hydraulic crown adjustment vario screeds

Lights

- Operator's platform lighting
- Home light function

Environmental

- Sound insulation

OPTIONAL EQUIPMENT

Material management

- Smart Dock
- Soft Dock
- Heavy push rollers
- Individual operating hopper wings
- Hydraulically operated front apron
- Auger quick lock system
- Heavy duty auger
- Protective half shells for auger shaft
- Auger extensions and additional auger bearings
- Heavy duty conveyor cover
- Reversible conveyor
- Central lubrication
- Front track scraper hydraulic
- Feeder stop

Electrics and electronics

- 230V power sockets
- Lateral emergency stop
- High ambient temperature fan
- CareTrack, GSM installation
- CareTrack, Satellite installation
- Pave Assist (Co-Pilot system)
- Smart View camera system
- Levelling equipment
- Transport case for EPM control panels
- On-board diagnostic function for manual screed heating bars
- White noise alarm

Structure

- Deluxe seats with heating
- Front windscreen
- Tarpaulin side curtains for weather roof
- Custom colours
- Electrohydraulic powered weather roof
- Front ballast weight

Screed

- Screed spacer blocks
- Screed assist
- Screed anti-climbing lock
- Screed load device
- Screed tensioning device
- Hydraulic height adjustment of extendable screed
- Special profiles VB 79, VB 89
- Hydraulically adjustable
- Power-Float screed end gates
- Heatable screed end gate
- Foldable screed walkway

Lights

- Basic Kit Halogen
- Basic Kit LED
- Work Plus Kit LED
- Full Night Kit LED
- Warning beacons LED
- Two balloon lights LED

Environmental

- Fume extractors
- Emulsion spraying system
- High performance spray cleaning unit
- Biodegradable hydraulic oil