

MACHINES

# ATR RAMMERS

ATR SERIES RAMMERS



NOW WITH ELECTRIC  
DRIVE VERSION



**AMMANN**

# THE RIGHT FIT ON YOUR JOBSITE

## AMMANN ATR RAMMERS

Ammann Rammers feature the best forward-movement capabilities in the industry, helping contractors in all applications work productively and ultimately achieve compaction targets. The forward-moving ability, manoeuvrability and compaction output makes them the tool of choice for contractors and rental agencies.

Ease of use means that operators of all experience levels are able to perform productively. Operation is more comfortable too, because of the reduced-vibration handle. That lessens fatigue and ultimately proves to be another productivity booster.



**ATR 30**

Weight: 32 kg (71 lb)  
Foot width: 130 mm (5.1 in)  
Centrifugal force: 2 kN (450 lbf)



**ATR 60 CLASSIC**

Weight: 62 kg (137 lb)  
Foot width: 280 mm (11 in)  
Centrifugal force: 11.5 kN (2585 lbf)



**ATR 60 PREMIUM**

Weight: 62 kg (137 lb)  
Foot width: 280 mm (11 in)  
Centrifugal force: 11.5 kN (2585 lbf)



**eATR 68**

Weight incl. battery: 76.4 kg (168 lb)  
Foot width: 280 mm (11 in)  
Centrifugal force: 13.5 kN (3035 lbf)



**ATR 68 CLASSIC**

Weight: 68 kg (150 lb)  
Foot width: 280 mm (11 in)  
Centrifugal force: 13 kN (2923 lbf)



**ATR 68 PREMIUM**

Weight: 68 kg (150 lb)  
Foot width: 280 mm (11 in)  
Centrifugal force: 13 kN (2923 lbf)



**ACR 70 D**

Weight: 83 kg (183 lb)  
Foot width: 280 mm (11 in)  
Centrifugal force: 16 kN (3597 lbf)



## APPLICATIONS

- Compaction in confined areas
- Earthwork
- Asphalt and paving applications
- Light to medium patchwork
- Pipeline and trench construction
- Landscaping and gardening

## PRODUCTIVITY

### Precise weight balance

Easy machine guidance during operation

### High compaction power

Ensures compaction under difficult conditions and when working on challenging materials

### Varied and powerfull engines

Both petrol and diesel engines are available

### Multiple shoe choices

Varied rammer shoes provide a match for every application

### Premium and Classic lines

Customer chooses the best fit

## ERGONOMICS

### Low hand-arm vibration values

The operator is protected against hand-arm vibration syndrome, previously known as vibration "white finger," even during long periods of use.

### Open guide handle

Clear view of the base plate during operation; can operate from all sides

### Height-adjustable machine and handle

Guide pipe and guide handle can be adjusted for comfortable operation

## SERVICEABILITY

### Long service life

Reduced maintenance and ownership costs

### Tool-free daily inspection

Daily maintenance possible without any tools

### Robust design

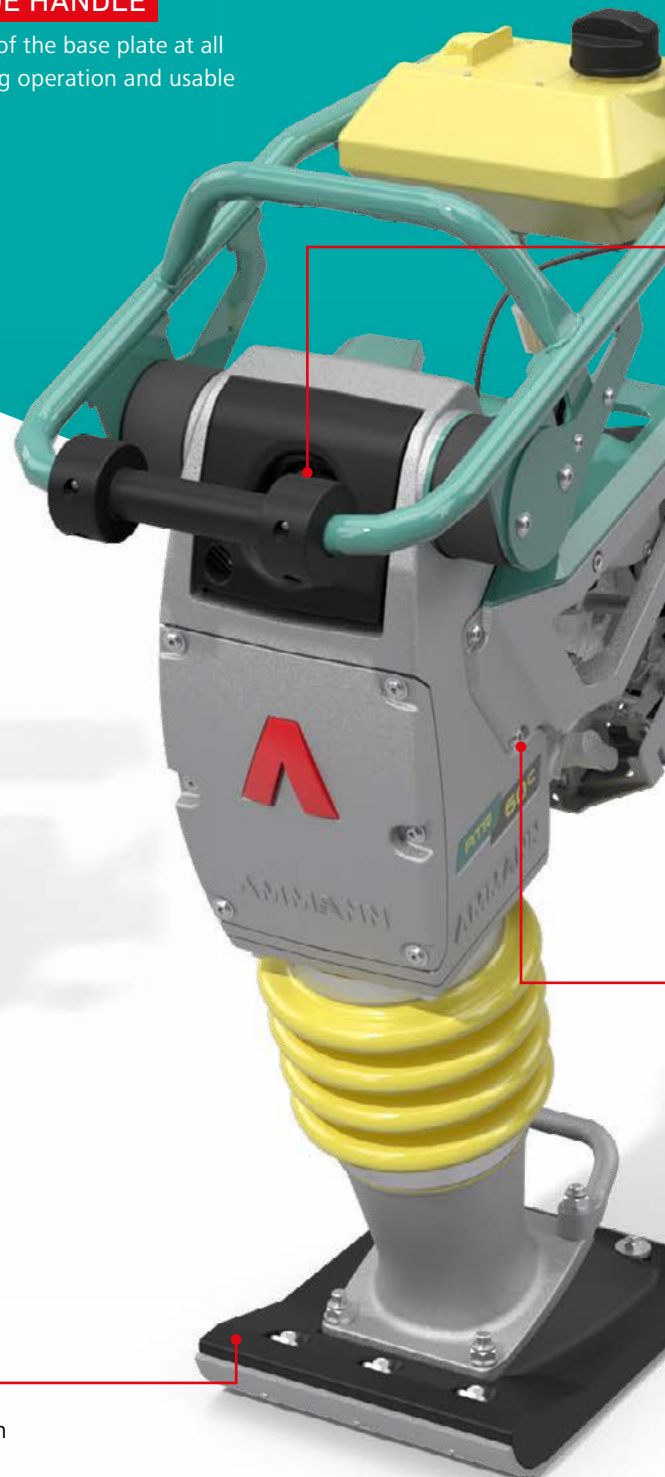
Protective casing and high-quality components extend machine life.

# TECHNOLOGICAL FEATURES ADD EFFICIENCY

Customer input plays a crucial role in developing the features that are built into all Ammann products, including ATR Rammers. Customer requirements include a powerful compaction punch, balance and operator friendly handle with protection against excessive hand-arm vibrations.

## OPEN GUIDE HANDLE

Clear view of the base plate at all times during operation and usable for all sides



## VARIETY OF SHOES

Wide range of foots for every application

### OPTIMIZED GAS THROTTLE

The optimized gas throttle of the Premium Models allows Simple use and handling of the rammer

### AIR FILTRATION

Improved air filtering extends the life expectancy of the rammer

### ROBUST COVERS

All key core components are well protected to damages

### ENGINES

Petrol or Diesel rammers are available

### BALANCED MACHINE WEIGHT

Optimal placed engine, effect low centre of gravity and great machine control



“The optimal balance and user-friendly handle of the Ammann ATR Rammers make these machines a joy to work with.”



# THE BALANCE AND POWER YOU NEED

## CREATING INDUSTRY-LEADING COMPACTION AND FORWARD MOVEMENT

You need machines that deliver compaction power to the ground. And you need machines that can climb steep terrain on challenging jobsites. ATR Rammers deliver on all fronts.

### Pure Compaction power

Exceptional design and engineering ensure the rammers' powerful compaction punch is transferred to the surface, making the machines up to any challenges that might arise on jobsites.

### Best-in-class machine balance

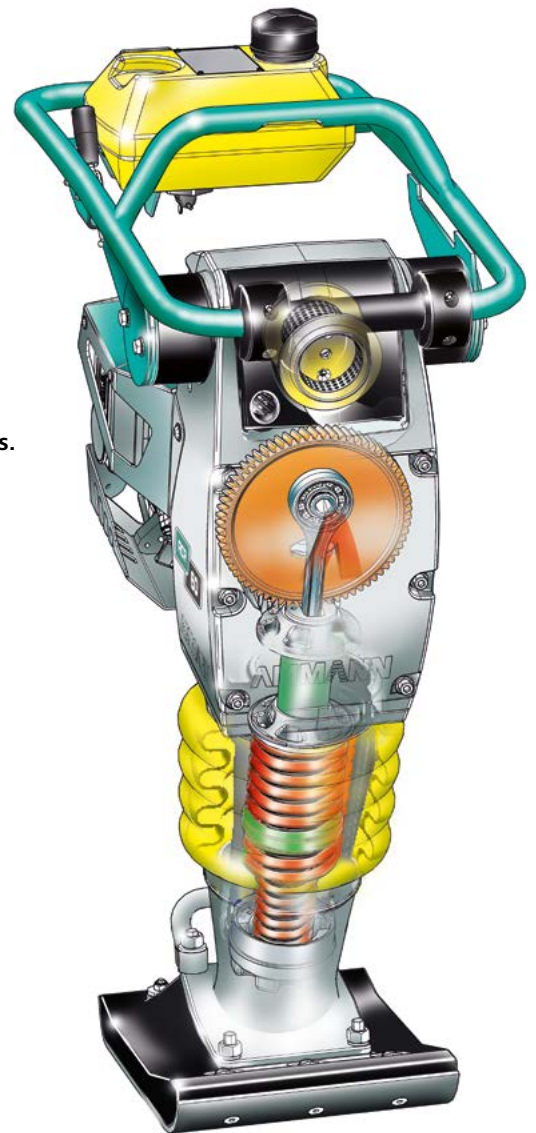
The rammers' design and excellent engine position provides exceptional balance that prevents tipping and delivers a host of operator benefits, including effortless guidance and precise control. The balance also spurs the forward movement that boosts rammer performance and productivity - and ultimately leads to profitability.

### Extremely durable

Taking a hit is not a problem for the Ammann Rammers. High quality components and protective casings keep the machines running, even under the toughest conditions.

### Powerful engines

Each rammer features a reliable petrol or diesel engine that's perfectly suited to its size. Efficient fuel consumption allows the operator to work up to four hours without refilling the gas tank. machine to grant optimal power and long life.



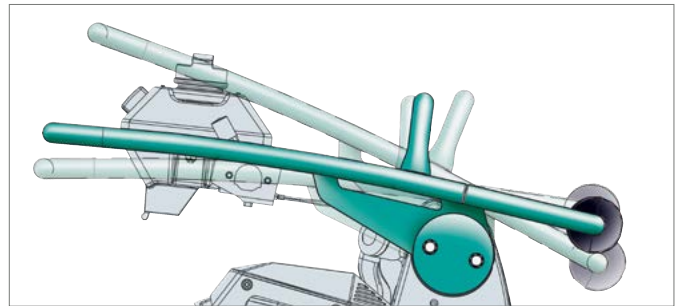


# UNMATCHED ERGONOMICS

ADAPTABLE TO THE NEEDS OF THE OPERATOR

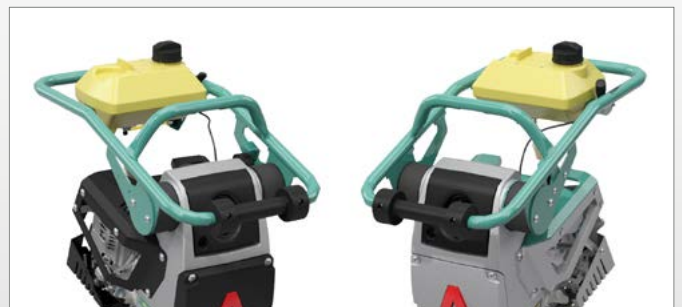
## Handle gives unmatched visibility to operator

The handle design creates sight lines to the rammer foot during the compaction process, providing confident movement around the jobsites. The open guide handle enables a secure grip from all sides, even when near obstacles.



## Height adjustable

Every machine in the ATR line is equipped with a height-adjustable handle, allowing operators of all sizes to choose from three height settings for maximum comfort throughout the shift. The handle also isolates vibration to protect the operator and reduce fatigue.



## Secure Grip from All sides

The handle's design enables a secure grip from all sides. The operator can maintain precise control, even while turning the machine in any direction.



# DESIGNED FOR SERVICEABILITY

HIGH QUALITY COMPONENTS MAKE YOUR AMMANN ATR RAMMER LAST

Ammann Rammers are built to last. A well-thought-out design offers easy access to service points, so your crew can quickly complete the life-extending maintenance that keeps the machines up and running.

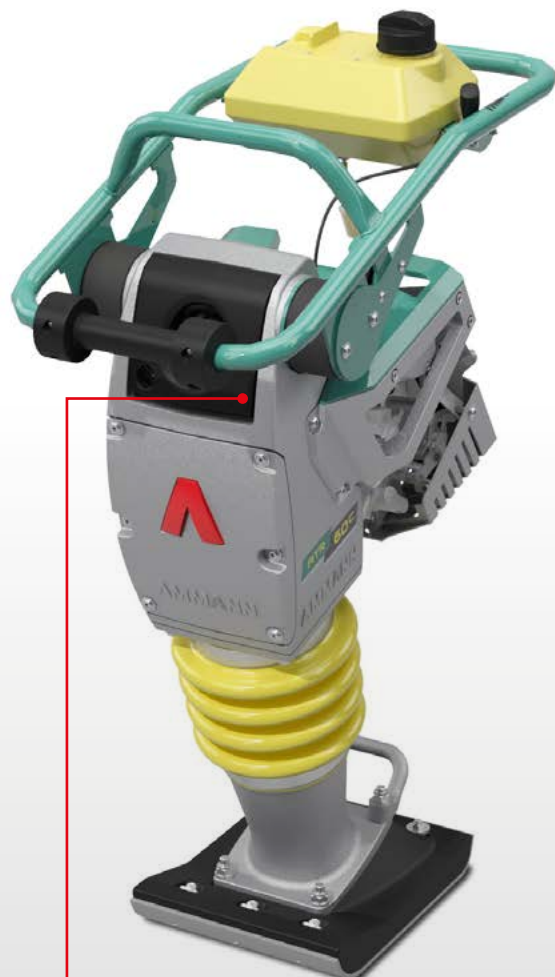
## LONG SERVICE LIFE

Self-cleaning air filters reduce maintenance time. An optional cyclone pre-filter lowers pressure on the air filter, extending its life and cutting costs.



## ROBUST DESIGN

The toughest jobsites are not a problem because of heavy-duty parts and a protective casing. Contractors and rental businesses appreciate the durability.



## TOOL-FREE DAILY INSPECTION

Access to all daily inspection points is effortless and fluid indicators are easy to view. No tools are required to access daily service points, ensuring the maintenance is completed quickly.



# ATR 30

**A LIGHTWEIGHT, REACHING  
WHERE OTHERS CAN'T**



The Ammann ATR 30 Rammer is a perfect fit when working in confined areas. The machine combines a slim design with small shoe sizes to ensure productivity in trenches and other tight spaces.

With its working width of 80 mm (3.1 in) or 130 mm (5.1 in), and weight of 32 kg (71 lb), the ATR 30 is the ideal machine for jobs where a small rammer is required. But don't be fooled by the size and weight: A high percussion rate makes up for it and ensures great compaction power.

## HIGHLIGHTS

- Shoe sizes of 80 mm (3.1 in) or 130 mm (5.1 in)
- 0.95 kW / 1.3 HP Honda petrol engine
- Robust and long-life spring system for high reliability
- Ideal for trench work, placement of cable or small patchwork jobs
- Open handle design allows good view of the working area
- Integrated engine protection frame
- Grip handles make transport simple



# ATR 60 C ATR 68 C

## CLASSIC RAMMERS

Ammann Classic rammers focus on – and excel at – the basic needs for any contractor. They are great fits for rental houses and contractors who don't frequently require a rammer.

Like all Ammann rammers, the ATR 60 C and ATR 68 C provide industry-leading compaction output and forward movement. The handle, the height, proper shoes and a low centre of gravity that enables control make the rammers easy to operate regardless of experience level. The rammers feature the vibration isolated handle concept that limits hand-arm vibrations to protect the operator.

This is an important feature to make the operator work more comfortable and to avoid long-term health issues. If required, the height of the handle can be adjusted to adapt to the operator's size.

The ATR 60 C offers a working weight of 62 kg (137 lb). The ATR 68 C delivers more weight at 68 kg (150 lb). Both machines excel with their unmatched balance.

The Classic rammers are equipped with a Honda GX 100 petrol engine, highly regarded for its reliability and long life.



### HIGHLIGHTS

- Best-in-class drive
- Voluminous air filter with self-cleaning feature that when combined with optional cyclone pre-filter
- Sure-grip, vibration-insulated guide handle for fatigue-free operation
- Patented height reduction of approximately 10 cm (3.9 in) using adapter plate option
- Standard corrosion-free fuel tank
- Standard 280 mm foot (11 in), with seven sizes available including an asymmetric option for compaction along walls and curbs
- Powerful and robust single-spring system
- Easily accessible recoil starter
- Throttle adjustment with automatic idle
- Robust crank drive
- Wear-resistant ramming shoe with integrated steel plate
- Additional rollers and grips for easy loading and unloading



# ATR 60 P ATR 68 P

## PREMIUM RAMMERS

Ammann Premium rammers are technically advanced machines, adapted to help professionals be productive and safe.

Among the key features of the Premium models are an optimised multi-function gas lever that is shaped and positioned for easy reach and operation; a low emission engine that fulfills the strictest regulations worldwide, and an additional air filter system that extends the life of the machine.

The premium models also feature the vibration-isolated handle concept that limits hand-arm vibrations to protect the operator. The handle is an important feature to make work more comfortable and to avoid long term health issues. required, the height of the handle can be adjusted to adapt to the operator's size.

The Premium rammers utilise a Honda GXR 120 engine that meets the strictest emissions requirements.

ATR 60  
PREMIUM



ATR 68  
PREMIUM



### HIGHLIGHTS

- Best-in-class drive
- Voluminous air filter with self-cleaning feature that when combined with optional cyclone pre-filter
- Sure-grip, vibration-insulated guide handle for fatigue-free operation
- Patented height reduction of approximately 10 cm (3.9 in) using adapter plate option
- Standard corrosion-free fuel tank
- Standard 280 mm foot (11 in), with seven sizes available including an asymmetric option for compaction along walls and curbs
- Powerful and robust single-spring system
- Easily accessible recoil starter
- Throttle adjustment with automatic idle
- Robust crank drive
- Wear-resistant ramming shoe with integrated steel plate
- Additional rollers and grips for easy loading and unloading



# ADDITIONAL PREMIUM FEATURES

## OPTIMISED GAS THROTTLE



Optimised, multi-functional gas throttle eases the operation and assures a preserving handling for the engine to maximise it's lifetime.

### 0 Stop position

The lever also automatically cuts off the fuel and shuts down the electric system.

### 1 Idle speed

Fuel and electric system are turned on, engine can be started.

### 2 Full speed

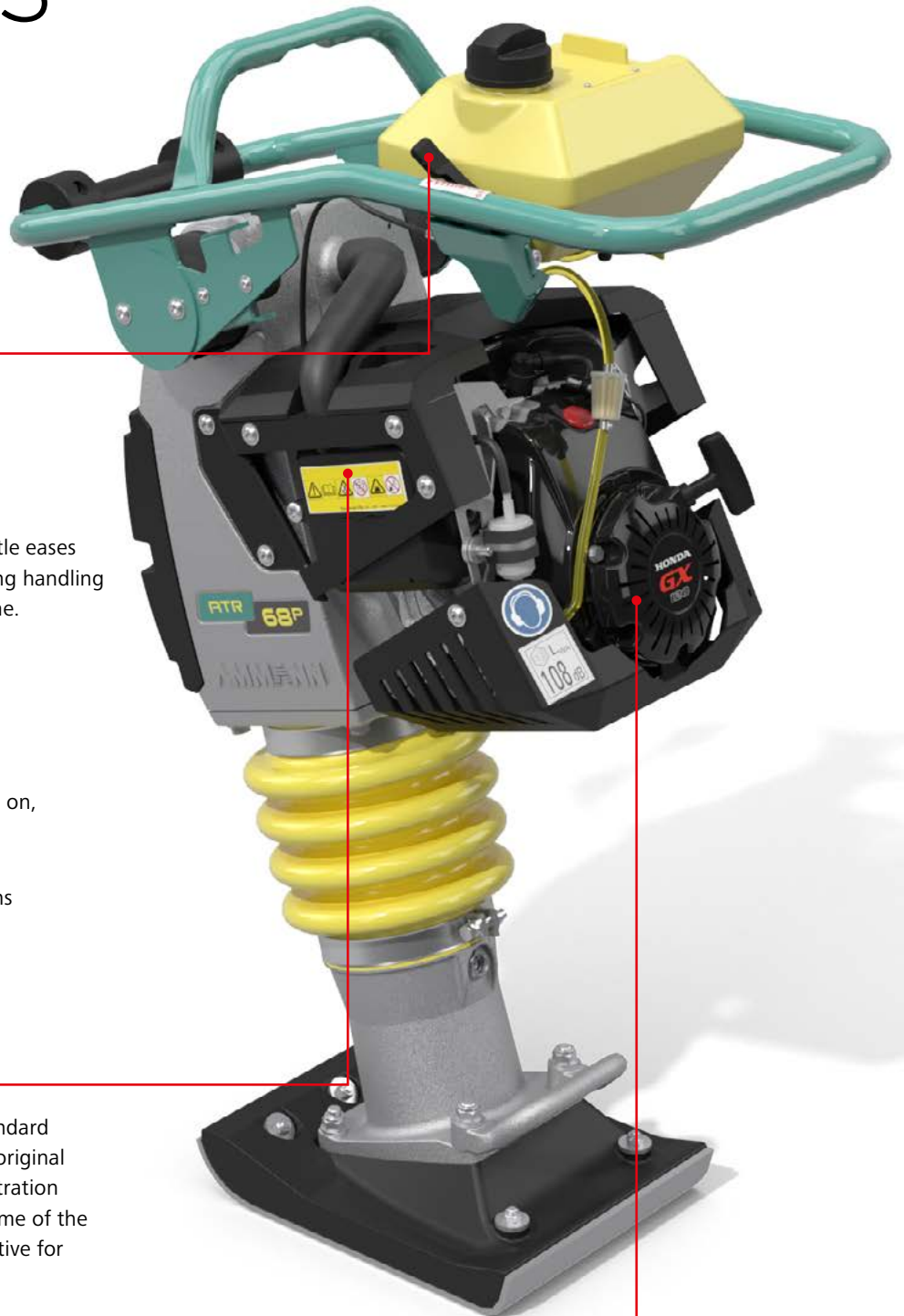
Machine is working and engine runs on optimal RPM.

## DOUBLE AIR FILTRATION

The premium models feature the standard Ammann air filter together with the original filter from the engine. This double filtration system significantly extends the lifetime of the engine, keeping the machine productive for a longer period.

## LOW EMISSION ENGINE

Equipped with the Honda GXR 120 engine, the Premium ATR models are suitable for emission regulated countries. The engine is in line with latest technologies and excels through its silent operation and low fuel consumption.



# eATR 68



## PREMIUM RAMMERS

The Ammann eATR 68 offers power that rivals the petrol version of the machine. Both models have stroke heights of 65 mm and percussion rates of 11 Hz. The centrifugal force in the e-drive rammer is 11.5 kN, compared to 13 kN in the petrol version.

**Charging.** Ammann's battery pack charges quickly – and holds its charge, too. The machine can be charged overnight to maximise capacity the next day. If needed, it can be charged for a shorter period during a shift and then quickly return to work.

**Interchangeable batteries.** The same battery pack powers both the Ammann e-plate and e-rammer – and likely additional Ammann machines in the future. This provides convenience and promotes uptime.

**Safety.** The plate utilises lithium iron phosphate (LFP) batteries, which maximise safety. The batteries and their advanced management system are particularly robust and resistant to high temperatures, overcharging, and mechanical damage.



### HIGHLIGHTS

- Zero-emission machine
- Battery-powered
- Long-lasting battery pack, with optimal safety
- Interchangeable with other Ammann e-plates
- Work in confined spaces
- Meet all emissions standards



# ACR 70 D

## DIESEL POWERED COMPACTION

The ACR 70D provides the most rammer weight, at 83 kg (183 lbs). It utilises a Yanmar L48 diesel engine that is popular with contractors who are seeking to have light equipment with a diesel engine – and of course want power, too.

The rammer features an adjustable, vibration-resistant handle that helps fight fatigue and keep the operator focused throughout a shift.

The added weight combined with the low centre of gravity and the Yanmar engine provide plenty of compaction pop.



### HIGHLIGHTS

- Sure-grip, vibration-insulated guide handle for fatigue-free operation
- Corrosion-free fuel tank
- Powerful and robust single-spring system
- Easily accessible recoil starter
- Throttle adjustment with automatic idle
- Wear-resistant ramming shoe made of high quality plastic with integrated steel plate
- Additional rollers and grips for easy loading and unloading








# OPTIONAL EQUIPMENT

CUSTOMISED FOR YOUR NEEDS

Standard features provide operator safety and productivity. Options help you take the next step, enabling customisation that maximises productivity and cost efficiency on your jobsites.

## OPTIONS

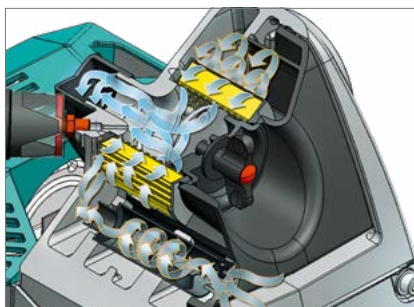
	ATR 30	ATR 60C	ATR 60 P	ATR 68 C	ATR 68 P	eATR 68 	ATR 70D
CYCLONE PRE-FILTER	✗	✓	✓	✓	✓	✗	✗
HOUR METER	✗	✓	✓	✓	✓	✓	✓
STANDARD RAMMER SHOE	130 mm (5.1 in)	280 mm (11 in)	280 mm (11 in)	280 mm (11 in)	280 mm (11 in)	280 mm (11 in)	280 mm (11 in)
ALTERNATIVE RAMMER SHOES	80 mm (3.1 in)	165–200–230– 330–400 mm (6.5–7.87–9.1– 13–16 in)	165–200–230– 330–400 mm (6.5–7.87–9.1– 13–16 in)	165–200–230– 330–400 mm (6.5–7.87–9.1– 13–16 in)	165–200–230– 330–400 mm (6.5–7.87–9.1– 13–16 in)	230 mm (9.1 in)	230–400 mm (9.1–15.7 in)
ASYMETRIC RAMMER SHOE (340 MM)	✗	✓	✓	✓	✓	✗	✓
TRANSPORT WHEELS	✗	✓	✓	✓	✓	✓	✓

✓ = Available / ✗ = Not available



### HOUR METER

The optional working-hour meter helps you track usage and monitor maintenance needs. The meter is a great feature for rental companies, too.



### CYCLONE PRE-FILTER

An optional cyclone pre-filter is available on ATR 60 and ATR 68 machines. The cyclone can help your filter last 5 times longer.



### TRANSPORT WHEELS

Transport wheels allow you to effortlessly relocate the rammer on the jobsite without assistance of larger machines. The wheel wagon is simply clicked beneath the rammer and the machine is ready to roll. No time-consuming mounting is needed!

# SPECIFICATIONS

## ATR AND ACR RAMMERS

### DIMENSIONS & WEIGHTS



	ATR 30	ATR 60C	ATR 60P	ATR 68C	ATR 68P	eATR 68 	ACR 70D
MACHINE WEIGHT	32 kg (71 lb)	62 kg (137 lb)	62 kg (137 lb)	68 kg (150 lb)	68 kg (150 lb)	70 kg <sup>2)</sup> (154 lb)	83 kg (183 lb)
FOOT LENGTH	280 mm (11.0 in)	340 mm (13.4 in)	340 mm (13.4 in)	340 mm (13.4 in)	340 mm (13.4 in)	340 mm (13.4 in)	340 mm (13.4 in)
FOOT WIDTH	130 mm (5.1 in)	280 mm (11 in)	280 mm (11 in)	280 mm (11 in)	280 mm (11 in)	280 mm (11 in)	280 mm (11 in)
HANDLE LENGTH	600 mm (23.6 in)	710 mm (28 in)	710 mm (28 in)	710 mm (28 in)	710 mm (28 in)	730 mm (28.7 in)	770 mm (30.3 in)
MACHINE HEIGHT	983 mm (38.7 in)	1120 mm (44.1 in)	1020 mm (40.2 in)	1020 mm (40.2 in)	1020 mm (40.2 in)	1060 mm (41.7 in)	980 mm (38.6 in)
HANDLE WIDTH	316 mm (12.4 in)	355 mm (14 in)	355 mm (14 in)	355 mm (14 in)	355 mm (14 in)	355 mm (14 in)	410 mm (16.1 in)

### ENGINE

ENGINE	Honda GX 35	Honda GX 100	Honda GXR 120	Honda GX 100	Honda GXR 120	Honda GXE 2.0	Yanmar L48 N5
FUEL	Petrol	Petrol	Petrol	Petrol	Petrol	–	Diesel
ENGINE OUTPUT	0.95 kW (1.3 HP)	2.2 kW (3 HP)	2.7 kW (3.7 HP)	2.2 kW (3 HP)	2.7 kW (3.7 HP)	1.8 kW (2.4 HP)	3.2 kW (4.3 HP)
AT RPM	6000	4300	4300	4300	4300	3600	3250
FUEL CONSUMPTION	0.8 l/h (0.2 gal/h)	0.9 l/h (0.2 gal/h)	1 l/h (0.3 gal/h)	0.9 l/h (0.2 gal/h)	1 l/h (0.3 gal/h)	–	0.9 l/h (0.2 gal/h)

### COMPACTION FORCES

PERCUSSION RATE	1000 bpm	680 bpm	680 bpm	680 bpm	680 bpm	666 bpm	730 bpm
STROKE HEIGHT	45 mm (1.8 in)	65 mm (2.6 in)	65 mm (2.6 in)	65 mm (2.6 in)	65 mm (2.6 in)	65 mm (2.6 in)	60 mm (2.4 in)
CENTRIFUGAL FORCE	2 kN (450 lbf)	11.5 kN (2585 lbf)	11.5 kN (2585 lbf)	13 kN (2923 lbf)	13 kN (2923 lbf)	13.5 kN (3035 lbf)	16 kN (3597 lbf)
SURFACE CAPACITY	64 m <sup>2</sup> /h / 105 m <sup>2</sup> /h (692 ft <sup>2</sup> /h / 1125 ft <sup>2</sup> /h)	227 m <sup>2</sup> /h (2441 ft <sup>2</sup> /h)	227 m <sup>2</sup> /h (2441 ft <sup>2</sup> /h)	227 m <sup>2</sup> /h (2441 ft <sup>2</sup> /h)	227 m <sup>2</sup> /h (2441 ft <sup>2</sup> /h)	341 m <sup>2</sup> /h (3668 ft <sup>2</sup> /h)	210 m <sup>2</sup> /h (2260 ft <sup>2</sup> /h)
MAX. COMPACTION PERFORMANCE <sup>1)</sup>	30 cm (12 in)	45 cm (18 in)	45 cm (18 in)	50 cm (18 in)	50 cm (18 in)	50 cm (18 in)	60 cm (23.6 in)

### MISCELLANEOUS

FUEL TANK CAPACITY	0.63 l (0.2 gal)	3.2 l (0.8 gal)	3.2 l (0.8 gal)	3.2 l (0.8 gal)	3.2 l (0.8 gal)	–	2.5 l (0.7 gal)
TRAVEL SPEED	13.4 m/min (44 ft/min)	13.5 m/min (44.3 ft/min)	13.5 m/min (44.3 ft/min)	13.5 m/min (44.3 ft/min)	13.5 m/min (44.3 ft/min)	16 m/min (52.8 ft/min)	12 m/min (39.4 ft/min)
OPTIONAL FOOT SIZES WIDTH	80 mm (3.1 in)	165–200–230– 330–400 mm (6.5–7.87–9.1– 13–16 in)	165–200–230– 330–400 mm (6.5–7.87–9.1– 13–16 in)	165–200–230– 330–400 mm (6.5–7.87–9.1– 13–16 in)	165–200–230– 330–400 mm (6.5–7.87–9.1– 13–16 in)	230 mm	230–330 mm (9.1–13 in)

<sup>1)</sup> depending on ground conditions <sup>2)</sup> w/o battery (6.4kg / 14.1 lb)

## VARIETY OF SHOES

ATR machines can be adjusted to match the jobsite application and the size of the operator.

The ATR 60 and ATR 68 include seven working widths, three working heights and an asymmetric foot that allows work along curbs and walls without the risk of tipping the machine.

The eATR 68 has two working widths: 280 mm (11 in) and 230 mm (9.1 in).

The ATR 30 offers two different working widths: A standard 130 mm (5.1 in) foot and a small 80 mm (3.1 in) foot.

The ACR 70 D features three working widths: 230 mm, 280 mm and 330 mm (9,1-11-13 in).



340 mm asymmetric: compaction work in trenches protected by shuttering systems: no need to inclining the rammer during operation.



PATENTED HEIGHT REDUCTION OF APPROXIMATELY 10 cm



STANDARD HEIGHT



EXTENSION



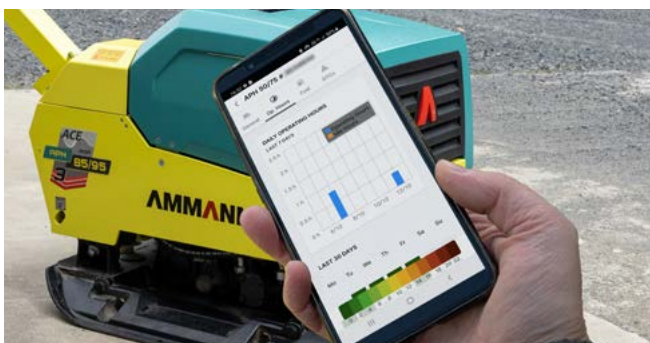


# DELIVERING THE DATA THAT MATTERS

## SERVICELINK

**Ammann ServiceLink is a digital data management tool that provides customers with the information they want the most: machine location, battery status and hours. Data transfer is automatic thanks to new hardware, and access to the information is only a click away.**

Manage your equipment – anytime, anywhere – with Ammann ServiceLink. This comprehensive fleet system provides key data for light compaction equipment, heavy compaction machines and asphalt pavers. You can choose which machines to track.



### HIGHLIGHTS

- Supplies machine location, operating hours, battery status
- Requires no subscription fees for the first 3 years on Ammann Light Equipment
- Provides one-click access to data
- Reliably transmits data from machines, no matter where they are
- Compatible with all machines produced by Ammann or other manufacturers
- Streamlines fleet upgrades (retrofit option)
- Easy to install

### DOWNLOAD THE MOBILE APP OR USE THE DESKTOP APPLICATION

- ServiceLink Mobile App  
Manage your equipment – anytime and anywhere.
- ServiceLink Web Portal  
Organize and manage multiple construction sites in the workplace.



App Store



Google Play

Go to [MyAmmann.com](https://www.ammann.com) for Ammann ServiceLink Web Portal

# TRAINING

## ENHANCE YOUR PERFORMANCE

If Ammann machine training was summarised in a single word, it might well be “comprehensive.” The training includes multiple expertise levels and modules to benefit all skill levels.

### TRAINING WORLDWIDE

Ammann product and application experts are ready to provide the training you need, no matter where you are. The global nature of Ammann ensures an expert is always near you – ready to offer instruction that ranges from the basics to the specifics relevant to your geographic area. The training can take place at an Ammann facility, your business – or even on a jobsite.

### KEY TEACHING THEMES CONNECT ALL EFFORTS, NO MATTER WHERE THEY OCCUR

**A good balance.** Training often combines a traditional classroom setting with hands-on machine experience. Ammann application experts also can offer instruction on your jobsite.

Training typically includes students from other industry businesses. Participants say conversations with their peers – and learning how they overcome challenges – are other key benefits.

**Learn in your language.** Lessons are taught in many languages, ensuring your team understands key terms and lessons and makes the most of your training investment.



# SPARE PARTS

You can only earn money when your equipment is working. That's why Ammann does everything possible to ensure you have the parts where and when you need them. Those efforts include easy online ordering to avoid confusion and enable tracking, and efficient logistics and availability to help parts reach you quickly.

## WEARING KITS

Some machines handle abrasive materials in demanding applications. While wear is inevitable, downtime can be limited. Wearing kits make replacement of these parts efficient and cost-effective. All the necessary parts – big and small – are in a single box to keep you organised and efficient and to ensure the machines are quickly back up and running.

## EMERGENCY KITS

Emergency kits prevent little frustrations from becoming bigger issues that can shut down a machine and even a jobsite. These kits include parts such as switches, fuses and valve coils that are simple and fast to change yet still can cause significant problems if not operating properly. The kits easily fit in the trunk or bed of a vehicle so they're on hand when needed. A crew-member with a bit of technical knowledge can handle this work on the jobsite. These repairs take 2 hours or less.



## MAINTENANCE KITS

Preventive maintenance is crucial to efficient operation and service life of machines. The easier the maintenance, the more likely it is to be completed. Maintenance kits make the upkeep simple. Parts associated with a particular maintenance process are in a single box with a single part number.

## BROCHURE WITH ALL KITS

We have a prospect with all kits, and their part numbers are available for you. Just contact your parts consultant and have a digital or hardcopy sent to you.



For additional product information  
and services please visit:  
**[www.ammann.com](http://www.ammann.com)**

